



# *Vertical Control* **Power Grip**

Congratulations on your purchase of the ProMaster Vertical Control Power Grip for Sony A7II, A7SII and A7RII. This battery grip will provide longer shooting times for your camera, comfortable photography when taking vertical-orientation shots, and a more stable overall camera rig which reduces the chance of shake and blur.

To ensure proper operation, please read this manual thoroughly before using this product.

This grip is specially designed for the Sony A7II camera. It is equipped with an alternate shutter button and main dial for easy shooting in a vertical position. This battery grip can hold two NP-FW50 rechargeable Li-ion batteries to extend your shooting time.

## **Warning**

- This product should only be used with compatible devices specified in this instruction sheet.
- Use **ONLY** with the batteries and battery holders recommended.
- The Vertical-grip operation switch is not a power switch; use the camera power switch to turn the power on/off.
- Do not have batteries installed in the grip when mounting it to the camera or removing it from the camera.
- Remove batteries from the grip when not in use for an extended period.
- Do not disassemble or repair this product yourself. Doing so will void your warranty.
- Avoid water or extreme humidity and be sure to store in a cool, dry location.
- Do not dispose of in fire or extremely high temperature environment.
- Keep the product and parts away from children to avoid hazard from swallowing.

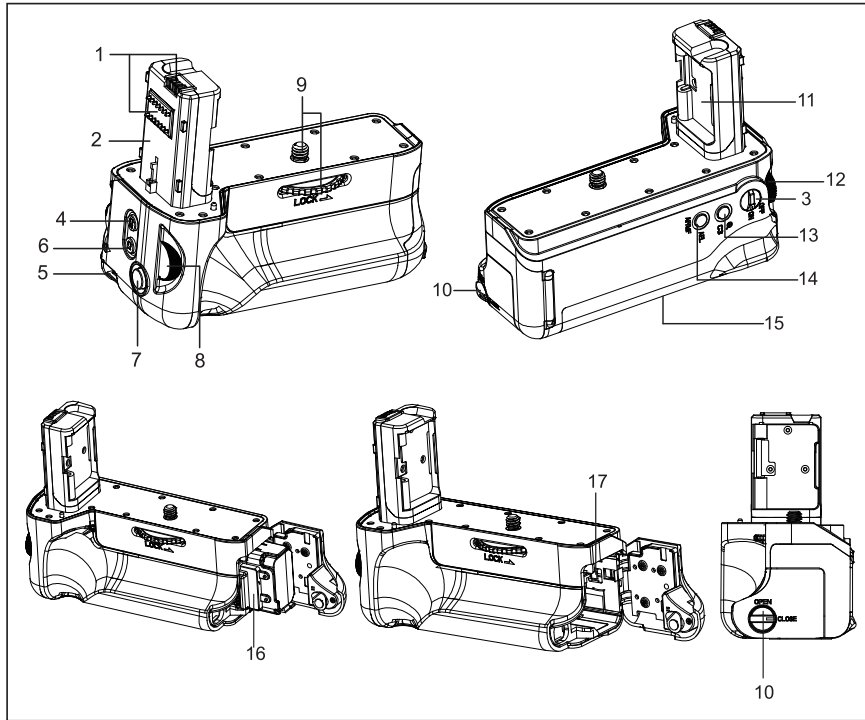
**Code 7803**

Made in China

**WWW.PROMASTER.COM | FAIRFIELD, CT 06825**

**Note:** This grip does not support in-camera battery charging. To charge your batteries either use an external battery charger or remove the grip from the camera before conducting an in-camera charging routine.

## Part Names



- 1) Electrical contacts
- 2) Guide bar
- 3) Vertical-grip operation switch
- 4) C2 Custom 2 button
- 5) Strap hook
- 6) C1 Custom 1 button
- 7) Shutter button
- 8) Front command dial
- 9) Attachment screw and Attach/detach knob
- 10) Battery chamber door knob
- 11) Camera battery compartment cover slot
- 12) Rear command dial
- 13) C3 Custom 3 button
- 14) AF/MF (Auto focus / Manual focus) button / AEL (AE lock) button
- 15) Tripod socket
- 16) Battery holder
- 17) Battery holder release button

## Troubleshooting

Symptom	Possible Solution
The camera does not work even after the grip is attached to the camera, the batteries are inserted into the unit and the camera POWER switch is set to ON.	Check that the Camera attachment screw (9) is securely tightened. Check that the batteries are charged. Remove the batteries from Battery holder (16), then re-insert. Set the camera POWER switch to OFF, remove the batteries, and remove then reattach the grip to the camera.
Shutter button or other operating buttons on the grip do not work.	Check that the Vertical grip operation switch (3) is not set to OFF. Remove the batteries from the Battery holder (16), then re-insert. Set the camera POWER switch to OFF, remove the batteries, and remove then reattach the grip to the camera.
"InfoLITHIUM" battery only" is displayed on the camera.	Remove the batteries from the battery pack tray, then re-insert. Be sure you are using high quality, compatible batteries.

## Specifications

Power Source	2 x NP-FW50 batteries
Compatible Cameras	Sony A7II A7SII A7RII
Operating Temperature	0°C to 40°C ( 32°F to 104°F)
Dimensions	Approx. 5" x 4 1/16" x 2 3/8"   127mm x 102mm x 61mm
Weight (without batteries)	Approx. 6.25 oz.   177g

## One Year Unconditional Warranty

If for any reason, this ProMaster product fails within ONE YEAR of the date of purchase, return this product to your ProMaster dealer and it will be exchanged for you at no charge. ProMaster products are guaranteed for ONE FULL YEAR against defects in workmanship and materials. If, at any time after one year, your ProMaster product fails under normal use, we invite you to return it to ProMaster for evaluation.

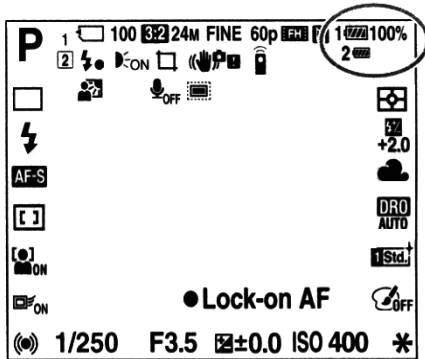
## Operation and Use of the Grip

1. Your camera must be turned ON for the grip to operate. When your camera is ON the grip may be switched ON or OFF by using the Vertical-grip operation switch (3). Please note, the grip will continue to supply power to your camera whether the vertical-grip operation switch is set to ON or OFF. Setting the vertical-grip operation switch to OFF only disables the operation of the grip's camera controls to prevent accidental changes to your camera's settings and/or accidental taking of photographs.
2. Use the grip's Shutter button (7) to comfortably auto focus and take photographs while holding your camera in a vertical position.
3. Use the buttons and command dials as you would on your camera. These controls work the same as they do on your camera.
4. Use the Tripod socket (15) to mount your grip and camera to a tripod or quick release plate.

## Remaining Battery Power Indicator

When you insert the two batteries (NP-FW50) into the grip, the following battery level gauge is displayed on the LCD monitor of the camera. (The position of the battery level gauge may vary depending on the model of the camera.)

### LCD monitor (example)



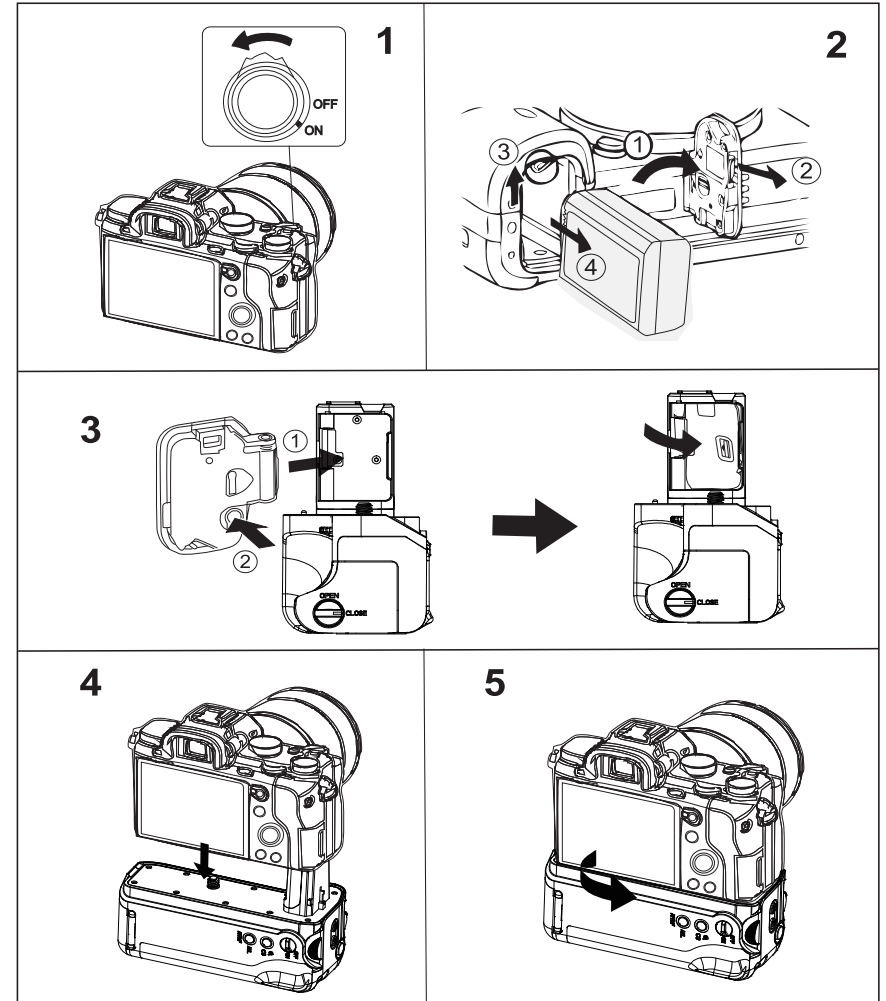
Of the two batteries, the one that has less power will be used first.

The remaining power of the battery pack in use is displayed as a percentage (%) in the battery level gauge.

The power level of the battery pack in use changes as shown below. When the battery pack in use runs out, the unit automatically switches to the next battery pack.

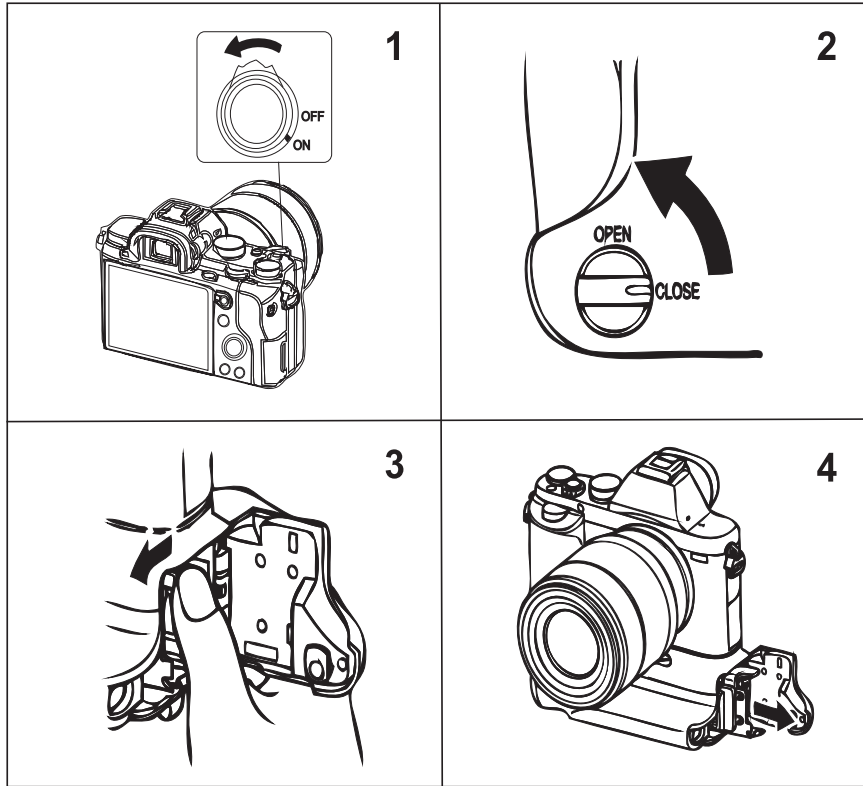
Remaining battery capacity					
	high  low				
If you continue to shoot for a while after the  mark appears, that battery pack runs out and the unit automatically switches to the next battery pack.					

## Attaching To Your Camera



1. Set the camera's power switch to OFF.
2. Carefully remove the camera's battery cover using the small lever located on the inside of the cover (refer to your camera's instruction manual for information about this). Then remove the battery from the camera.
3. Store the camera's battery cover in the Camera battery compartment cover slot (11) of the grip.
4. Attach the grip to the camera by lining up the Attachment screw (9) with the camera's tripod socket and also the Guide bar (2) with the camera's battery compartment.
5. Use the grip's Attach/detach knob (9) to securely tighten the grip to the camera by rotating it.

## Installing The Batteries



1. Be sure the camera's switch is set to OFF before installing or removing batteries from the grip.
2. Turn the Battery chamber door knob (10) to OPEN by rotating it counter-clockwise. The cover will spring open.
3. Push the Battery holder release button (17) to the left to release the Battery holder (16).
4. Pull the Battery holder (16) out of the grip.
5. Insert 1 or 2 NP-FW50 batteries into the Battery holder (16). Be sure each battery's contacts face the middle of the Battery holder (16) as shown in illustration 5.B. for proper fit.
6. Slide the Battery holder (16) into the grip's compartment. Be sure to align the Battery holder's contacts with the matching contacts in the grip as shown in illustration 6.C. Push the Battery holder into the grip until it 'clicks' into place as the Battery holder release button (17) engages the Battery holder.
7. Push the battery chamber door closed and secure it by rotating the Battery chamber door knob (10) clockwise to CLOSE.

